

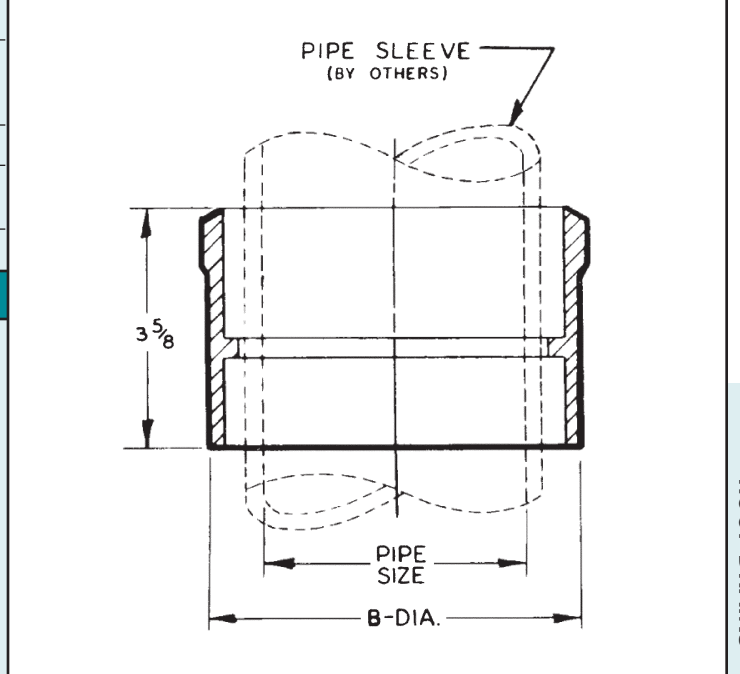
**26450 SERIES VENT STACK FLASHING SLEEVE**

**APPLICATION**  
Used as a counterflashing sleeve where roofing membranes are terminated at the stack, which protrudes through the roof. A caulk joint is made between the upper hub of the sleeve and stack, effectively waterproofing the entire assembly.

**SPECIFICATION**  
JOSAM 26450 Series coated cast iron Stack Sleeve, with counterflashing and caulking recesses.

**Available Options**

-20 Galvanized Cast Iron Parts



TYPE NO.	PIPE SIZE	B	LBS.
26451-1/2	1-1/2	3	3
26452	2	3-1/2	3
26453	3	4-3/4	5
26454	4	5-5/8	6
26455	5	6-3/4	8
26456	6	7-3/4	9

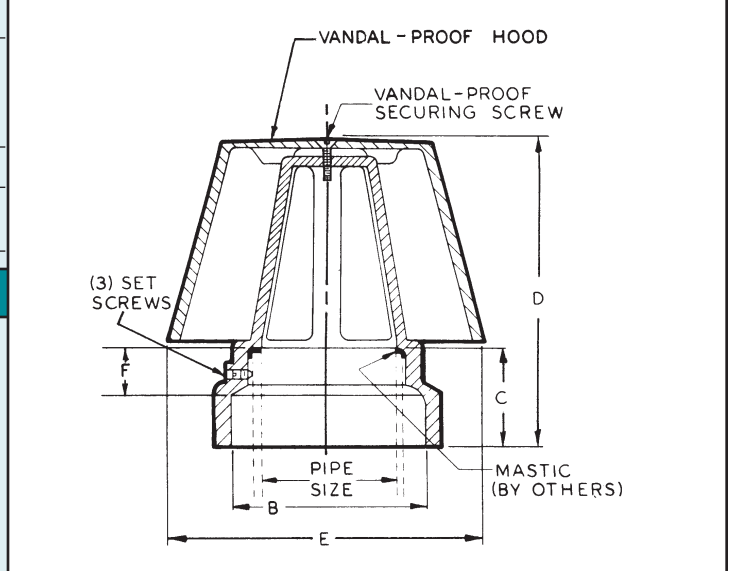
**26700 SERIES VANDAL-PROOF VENT CAP**

**APPLICATION**  
Used for vandal-proofing plumbing vents, which terminate at the roof level. Unique design eliminates the possibility of sticks or other materials being either carelessly or maliciously placed in the vent openings, thus causing stoppage of the drainage and vent system.

**SPECIFICATION**  
JOSAM 26700 Series coated cast iron Vandal-Proof hooded Vent Cap, with large frost-proof openings, counterflashing collar, deep protective hood and recessed securing screws.

**Available Options**

-20 Galvanized Cast Iron Parts  
-63 All Rough Bronze  
-65 All Rough Nikaloy



TYPE NO.	PIPE SIZE	DOME FREE AREA SQ. IN.	B	C	D	E	F	LBS.
26701-1/2	1-1/2	3.7	2-5/8	2	4-1/2	5-3/4	1	4
26702	2	6.8	3-1/4	2	5-1/4	5-3/4	1	5
26702-1/2	2-1/2	15.3	4-3/8	2-1/2	6-7/8	8-1/4	3/4	12
26703	3	15.3	4-3/8	2-1/2	6-7/8	8-1/4	1-1/8	12
26704	4	27.4	5-1/2	2-1/2	8	8-1/4	1-1/8	13
26705	5	41.6	6-1/2	2-1/2	10-1/8	11-3/4	1-1/8	22
26706	6	58.0	7-1/2	2-3/4	11-3/4	11-3/4	1-1/8	23

ROOF DRAINS