

## 28600 SERIES

## LARGE SUMP, FLO-SET®

### APPLICATION

Used on roofs of any size, for any type of construction where a predetermined rate of flow has been specified to limit pipe sizing or flooding of undersized pre-existing storm drainage systems. Adjustable calibrated vanes can be factory set to prescribed G.P.M. flow rates as required. Large slotted dome provides maximum free area for quick drainage of rainwater and protects the drain sump and connected piping from debris. WEJLOC® compression flashing clamp holds the membrane or flashing securely to the drain body.

### SPECIFICATION

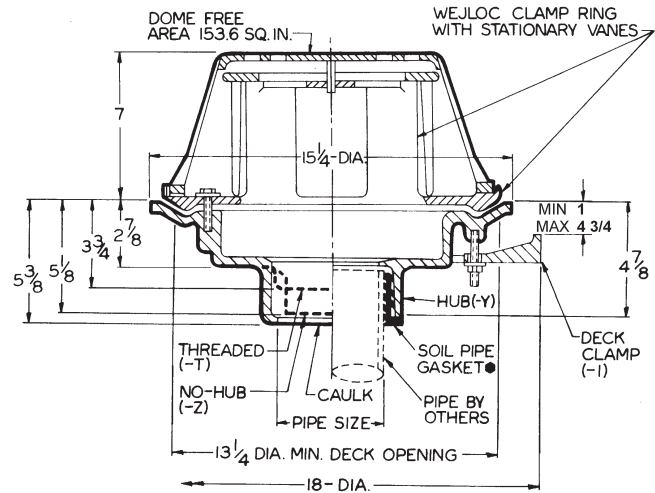
JOSAM 28600 Series coated cast iron FLO-SET® Roof Drain with large secured dome, adjusted calibrated Vandal-Proof vane collar, WEJLOC® non-puncturing clamp ring with stationary vanes and integral gravel stop, large sump with wide roof flange, and bottom outlet.

### Available Options

|       |   |        |  |
|-------|---|--------|--|
| ▼ -AE | LEVELEZE® Adjustable Extension                      | -10    | Fixed Ext. Collar, Cast Iron, (Specify Hgt) 4" Std.  |
| -CR   | Clamping Drain Receiver                             | -10-20 | Fixed Ext. Collar, Galvanized, (Specify Hgt) 4" Std. |
| -1    | Deck Clamp Assembly                                 | -20    | Galvanized Cast Iron Parts                           |
| -1C   | Drain Receiver Clips (Min. Deck Opening 16.5" Dia.) | -23    | Rough Bronze Dome                                    |
| -2    | Drain Receiver                                      | -VP    | Vandal-Proof Dome                                    |
| -3    | Deck Clamp Assembly and Drain Receiver              |        |  |
| -3C   | Drain Receiver and Drain Receiver Clips             |        |  |
| -4    | Secondary Flashing Clamp (use with -AE only)        |        |  |

**OUTLETS:**

|     |                            |
|-----|----------------------------|
| -66 | No-Hub Side Outlet         |
| -T  | Threaded Outlet            |
| -X  | Inside Caulk Outlet        |
| -Y  | Hub Outlet w/Gasket, 2"-4" |
| -Z  | No-Hub Spigot Outlet       |



DRAIN FURNISHED PRE-SET AND VANDAL-PROOFED. WHEN ORDERING, SPECIFY FLOW RATE AND HEAD

● CONFORMS WITH ASTM-C564.

FOR OUTLET TYPE SPECIFY -T, -X, -Y or -Z

| TYPE NO. | PIPE SIZE | LBS. | TYPE NO. | PIPE SIZE | LBS. |
|----------|-----------|------|----------|-----------|------|
| 28602    | 2         | 56   | 28605    | 5         | 58   |
| 28603    | 3         | 56   | 28606    | 6         | 60   |
| 28604    | 4         | 56   |          |           |      |

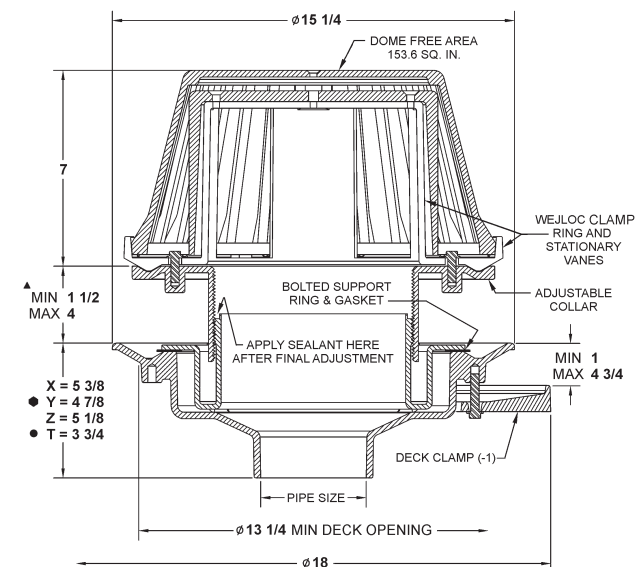
## 28600-AE SERIES LARGE SUMP, FLO-SET® with -AE Threaded Adjustable Ext.

### APPLICATION

Used on roofs of any size, for any type of construction where a predetermined rate of flow has been specified to limit pipe sizing or flooding of undersized pre-existing storm drainage systems. Adjustable calibrated vanes can be factory set to prescribed G.P.M. flow rates as required. Large slotted dome provides maximum free area for quick drainage of rainwater and protects the drain sump and connected piping from debris. WEJLOC® compression flashing clamp holds the membrane or flashing securely to the drain body. LEVELEZE® adjustable extension accommodates insulation of variable thickness.

### SPECIFICATION

JOSAM 28600-AE Series coated cast iron LEVELEZE® FLO-SET® Roof Drain, with large secured dome, adjusted calibrated Vandal-Proof vane collar, WEJLOC® non-puncturing clamp ring with stationary vanes and integral gravel stop, bolted support ring, adjustable top with wide roof flange, large sump with anchor flange, and bottom outlet.



DRAIN FURNISHED PRE-SET AND VANDAL-PROOFED. WHEN ORDERING, SPECIFY FLOW RATE AND HEAD

● CONFORMS WITH ASTM-C564.

▲ WITH CLAMP RING 2-1/4" MIN., 4-1/4" MAX.

FOR OUTLET TYPE SPECIFY -T, -X, -Y or -Z

| TYPE NO. | PIPE SIZE | LBS. | TYPE NO. | PIPE SIZE | LBS. |
|----------|-----------|------|----------|-----------|------|
| 28602-AE | 2         | 94   | 28605-AE | 5         | 93   |
| 28603-AE | 3         | 94   | 28606-AE | 6         | 92   |
| 28604-AE | 4         | 93   |          |           |      |