

CLOSET CARRIERS

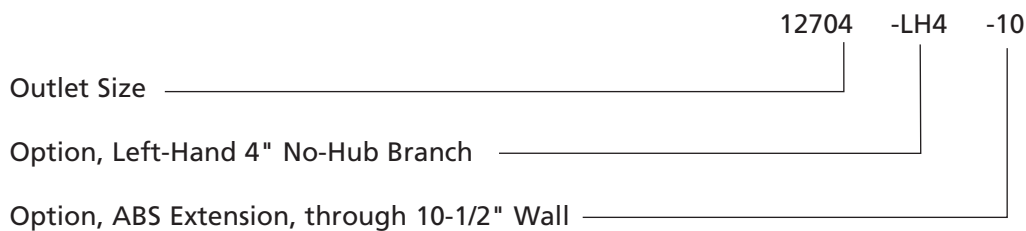
Types of Carriers

The JOSAM 12000 Series and -32 Wide Chase Closet Carriers for commercial installation suit all makes and types of off-the-floor closet bowls. Simply indicate the information below for the product desired.

CARRIER TYPE	APPLICATION
COMMERCIAL ADJUSTABLE FITTINGS ON-STACK, HUB & SPIGOT, NO-HUB	For use with 12000 and -32 Wide Chase Carriers in single, battery or on-stack installation of closet bowls.
COMMERCIAL FITTINGS ON-STACK, HUB & SPIGOT, PLASTIC	For commercial on-stack installation of closet bowls.
CLOSE CARRIERS & FITTINGS HUB & SPIGOT, NO-HUB	For installation in soil stack where pipe space is minimum.

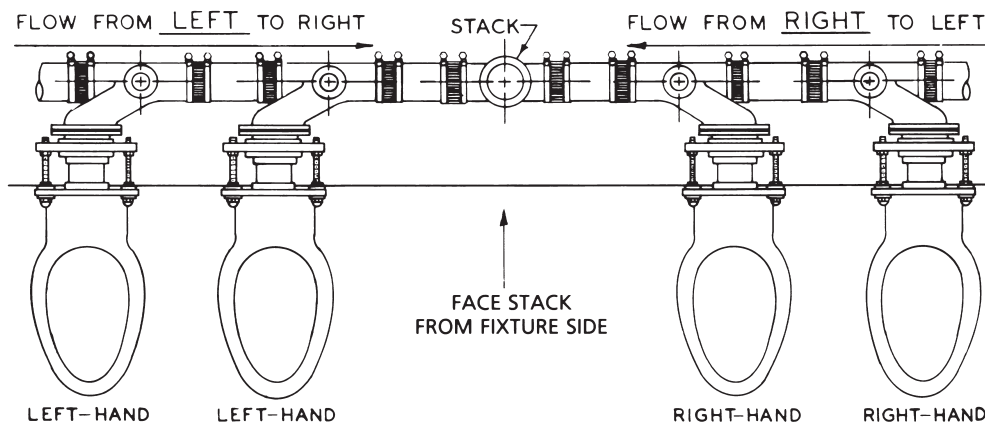
How To Order

EXAMPLE: Series No. 12704



Horizontal Fitting & Carrier Selection

DIAGRAM TO DETERMINE LEFT- OR RIGHT-HAND CLOSET FITTINGS



1. If flow in waste line is **from the right of the stack**, the closet fitting should be a **right-hand fitting**.
2. If flow in waste line is **from the left of the stack**, the closet fitting should be a **left-hand fitting**.