

Trap Seal Insert

TSI™

Solutions for Dangerous Sewer Gas, Odors, Bugs, and Trap Primer Alternative



- Available in 2", 3", 3.5", & 4"
- Can be used in most commercial floor drains
- Installed in either the strainer or the pipe

4"
Model
88244

3 1/2"
Model
88243-1/2

3"
Model
88243



- Check your size:**
1. Punch out drain sizer
 2. Remove drain strainer
 3. Insert into drain to determine size of TSI.™

WATER FLOWS DOWN, SEWER GASES, ODORS, & BUGS STAY OUT

Plumbing installations including a trap primer can be expensive to initially install and often require maintenance due to failure. When a trap primer fails, sewer gases, bugs, and unpleasant odors can enter the building through the drain. Josam's easy to install Trap Seal Insert solves these common issues as water can freely pass down through the Trap Seal Insert, but gases, bugs, and odors are blocked by the one way seal. The Trap Seal Insert is an eco-friendly solution compared to the expense and hassles associated with trap primers.

2"
Model
88242



Waterless Trap Seal for Floor Drains

TRAP SEAL INSERT

| Waterless Trap Seal for Floor Drains

APPLICATION - For use in the outlet connections of floor drain bodies, or the inside of floor drain strainers to seal the opening to prevent odors, sewer gases, and insects from entering up through the floor drain grate. Can be used in either new construction or retro-fit applications where trap primers were never installed or failed.

SPECIFICATION - JOSAM 88240 Series Trap Seal Insert's four flexible silicone sealing ribs ensure easy installation into openings that have variations in size. The Trap Seal Insert will open to allow drainage and close when there is no water flow.

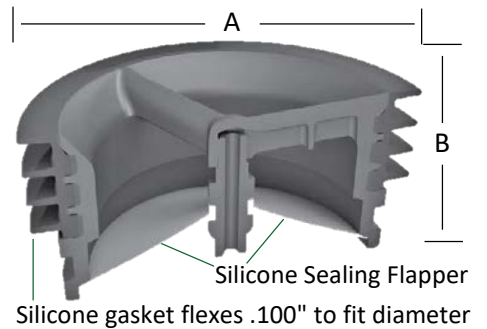
OPTIONS - Available as a standalone item and/or an add on option on JOSAM floor drains, both the Body or the Strainer. Available Trap Seal Insert size options include: 2", 3", 3.5", and 4".

PRODUCT FEATURES

- Easy to install and easy to remove – no pliers needed.
- Requires no caulk or expensive installation tool.
- One way drain valve – does not impair flow rate or plumbing maintenance
- *The 3.5" fits in the strainer of most commercial cast iron drains for an easy retrofit into existing drains.

| Part Number | Description Pipe Size (A) | Height (B) | Flow Rate (GPM) |
|-------------|------------------------------|---------------|--------------------|
| 88242 | 2" Drain Trap Seal | 2" | 12.0 |
| 88243 | 3" Drain Trap Seal | 2" | 34.0 |
| 88243-1/2* | 3.5" Drain Trap Seal | 2" | 51.0 |
| 88244 | 4" Drain Trap Seal | 2" | 73.0 |

Note: Size of TSI™ will match the drain outlet size. | *3.5" TSI™ fits in the strainer of the drain.



PREVENTS

the spread of dangerous bacteria that can cause potential health hazards

ELIMINATES

the need to frequently pour primer and fresh water down the drain.

SAVES

a significant amount of time, water, costs, and energy.



Tested and approved



Simply insert the proper size Trap Seal Insert into the existing floor drain or strainer to keep sewer gases, odors, and bugs out.

Visit www.josam.com for more information.

800.36.JOSAM | www.josam.com



⚠️ WARNING: Cancer and Reproductive Harm - www.p65warnings.ca.gov