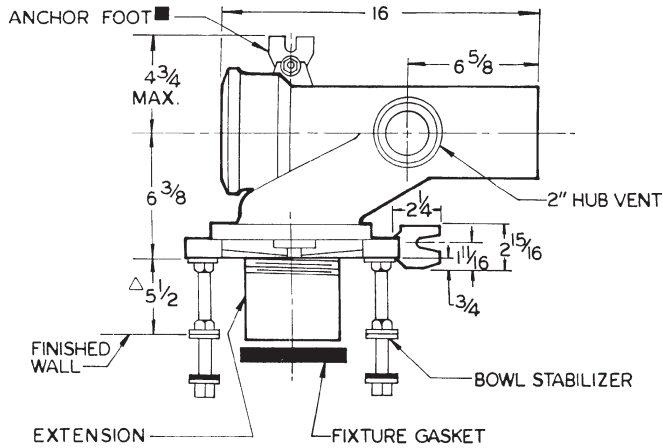


12674-HS SERIES

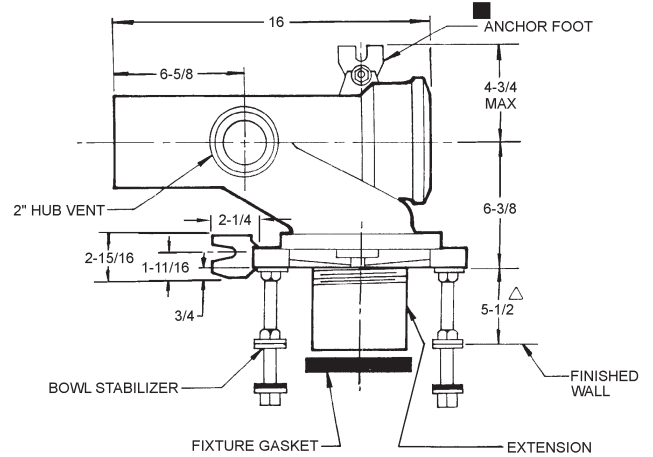
Single Left-Hand Hub & Spigot



65 LBS.

12684-HS SERIES

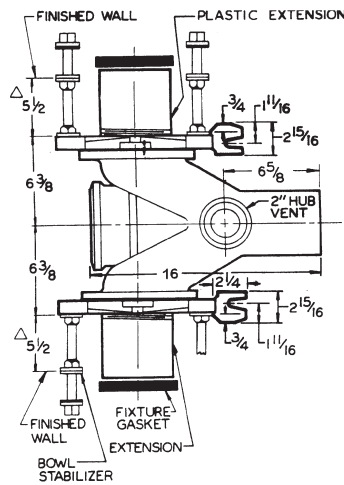
Single Right-Hand Hub & Spigot



65 LBS.

12694-HS SERIES

Back-to-Back Hub & Spigot

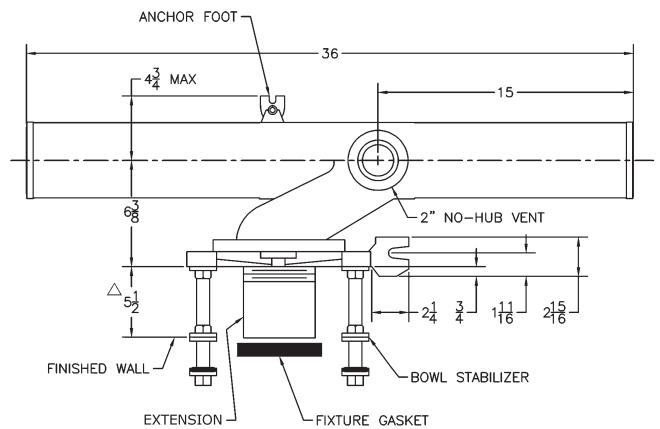


112 LBS.

12674-58 SERIES

Long Barrel

Single Left-Hand No-Hub

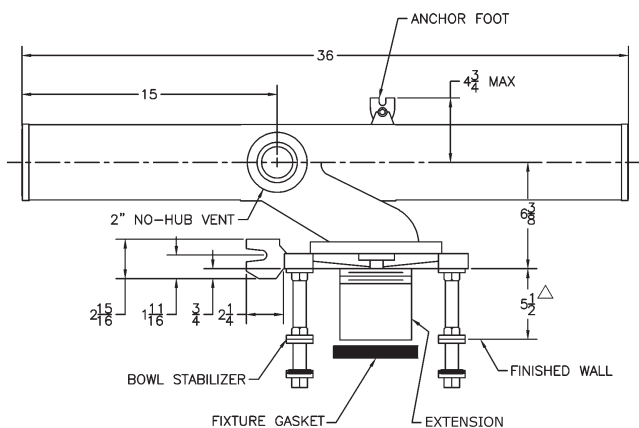


82 LBS.

12684-58 SERIES

Long Barrel

Single Right-Hand No-Hub

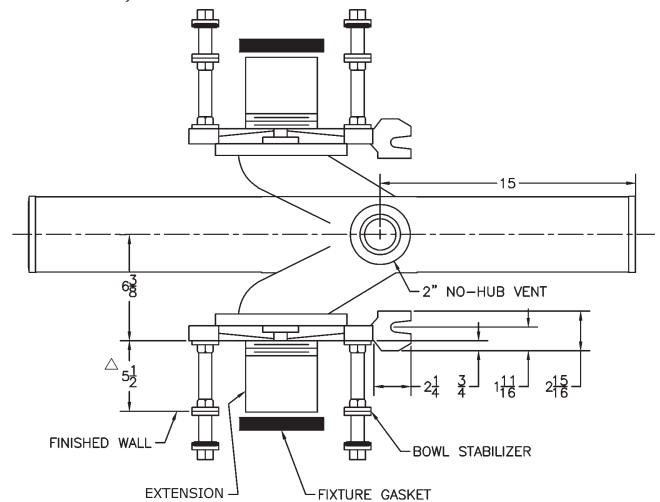


82 LBS.

12694-58 SERIES

Long Barrel

Back-to-Back No-Hub



125 LBS.

⚠ WARNING: Cancer and Reproductive Harm - www.p65warnings.ca.gov

RECOMMENDED: FEET BE SECURED TO FLOOR WITH 1/2" BOLTS AND ANCHORS OR OTHERS

FOR DIMENSIONS: HUBS - 1/2" (1" MIN) CUT EXISTING SPECIFY 10 FOR LONGER EXT (10-1/2" MAX.)