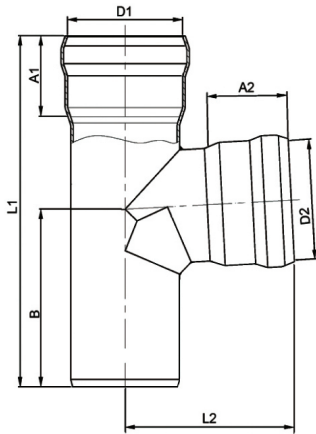
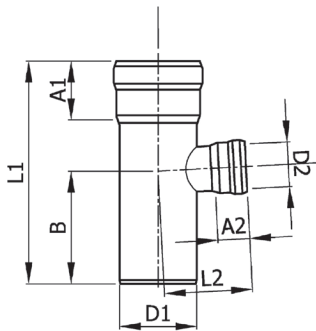


PUSH-FIT SANITARY SWEEP TEE



SERIES NUMBER	PIPE SIZE NOM.	D1 PIPE O.D.	D2 PIPE O.D.	A1 - MIN INSERT DEPTH	A2 - MIN INSERT DEPTH	L1	L2	B	WT LBS
JF-0810	2"X2"	2.1 (53)	2.1 (53)	1.5 (38)	1.5 (38)	6.6 (166)	3.2 (81)	3.3 (84)	1.6
JF-0814	3"X2"	2.9 (73)	2.1 (53)	2.2 (55)	1.5 (38)	8.3 (210)	3.6 (91)	4.2 (106)	2.2
JF-0816	3"X3"	2.9 (73)	2.9 (73)	2.2 (55)	2.2 (55)	8.3 (210)	4.3 (109)	4.2 (106)	2.4
JF-0818	4"X2"	4.0 (102)	2.1 (53)	2.8 (70)	1.5 (38)	9.0 (228)	4.1 (105)	4.5 (115)	2.6
JF-0820	4"X3"	4.0 (102)	2.9 (73)	2.8 (70)	2.2 (55)	11.5 (293)	4.8 (123)	5.8 (147)	3.2
JF-0822	4"X4"	4.0 (102)	4.0 (102)	2.8 (70)	2.8 (70)	11.5 (293)	5.4 (138)	5.8 (147)	3.6
JF-0834	6"x4"	6.3 (159)	4.0 (102)	3.1 (80)	2.8 (70)	13.6 (345)	6.5 (166)	6.9 (175)	6.8

PUSH-FIT TEE



SERIES NUMBER	PIPE SIZE NOM.	D1 PIPE O.D.	D2 PIPE O.D.	A1 - MIN INSERT DEPTH	A2 - MIN INSERT DEPTH	L1	L2	B	WT LBS
JF-0902	1½"X1½"	1.7 (42)	1.7 (42)	1.2 (30)	1.2 (30)	5.4 (137)	2.6 (67)	2.8 (70)	.48
JF-0904	2"X1½"	2.1 (53)	1.7 (42)	1.5 (38)	1.2 (30)	6.5 (165)	2.9 (73)	3.3 (84)	.88
JF-0906	2"X2"	2.1 (53)	2.1 (53)	1.6 (38)	1.6 (38)	6.5 (165)	3.2 (81)	3.3 (84)	.81
JF-0908	3"X1½"	2.9 (73)	1.7 (42)	2.2 (55)	1.2 (30)	8.2 (209)	3.3 (83)	4.2 (107)	1.3
JF-0910	3"X2"	2.9 (73)	2.1 (53)	2.2 (55)	1.6 (38)	8.2 (209)	3.6 (91)	4.2 (107)	1.2
JF-0912	3"X3"	2.9 (73)	2.9 (73)	2.2 (55)	2.2 (55)	8.2 (209)	4.3 (109)	4.2 (107)	1.7
JF-0914	4"X1½"	4.0 (102)	1.7 (42)	2.8 (70)	1.2 (30)	8.5 (216)	3.8 (97)	4.4 (111)	1.7
JF-0916	4"X2"	4.0 (102)	2.1 (53)	2.8 (70)	1.5 (38)	8.5 (216)	4.1 (105)	4.4 (111)	2.1
JF-0918	4"X3"	4.0 (102)	2.9 (73)	2.8 (70)	2.2 (55)	11.4 (291)	4.8 (123)	5.8 (148)	2.6
JF-0920	4"X4"	4.0 (102)	4.0 (102)	2.8 (70)	2.8 (70)	11.4 (291)	5.4 (138)	5.8 (148)	3.3
JF-0926	6"X3"	6.3 (159)	2.9 (73)	3.1 (80)	2.2 (55)	13.5 (343)	6.0 (152)	6.9 (175)	5.0
JF-0928	6"X4"	6.3 (159)	4.0 (102)	3.1 (80)	2.8 (70)	13.5 (343)	6.5 (166)	6.9 (175)	5.2
JF-0930	6"X6"	6.3 (159)	6.3 (159)	3.1 (80)	3.1 (80)	15.9 (403)	7.0 (178)	8.1 (205)	6.6
JF-0934	8"X4"	8.6 (219)	4.0 (102)	4.7 (120)	2.8 (70)	17.4 (441)	7.7 (196)	8.9 (225)	12.7
JF-0936	8"X6"	8.6 (219)	6.3 (159)	4.7 (120)	3.1 (80)	17.4 (441)	8.2 (208)	8.9 (225)	11.2
JF-0938	8"X8"	8.6 (219)	8.6 (219)	4.7 (120)	4.7 (120)	19.3 (491)	9.8 (249)	9.8 (250)	22.0