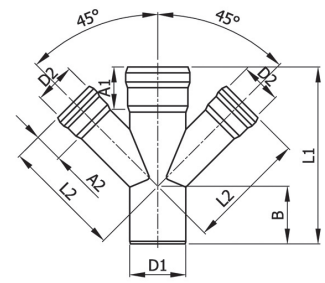


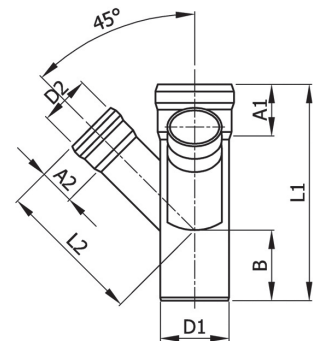
PUSH-FIT 45 DEGREE DOUBLE WYE

SERIES NUMBER	PIPE SIZE NOM.	D1 PIPE O.D.	D2 PIPE O.D.	A1 - MIN INSERT DEPTH	A2 - MIN INSERT DEPTH	L1	L2	B	WT LBS
JF-1537	2X1 1/2	2.1 (53)	1.7 (42)	1.5 (38)	1.2 (30)	7.8 (198)	5.8 (148)	2.6 (65)	.77
JF-1538	2X2	2.1 (53)	2.1 (53)	1.5 (38)	1.5 (38)	7.8 (198)	5.2 (133)	2.6 (65)	1.17
JF-1540	3X2	2.9 (73)	2.1 (53)	2.2 (55)	1.5 (38)	9.1 (230)	6.1 (155)	3.0 (75)	1.8
JF-1542	3X3	2.9 (73)	2.9 (73)	2.2 (55)	2.2 (55)	10.0 (255)	6.7 (170)	3.3 (85)	2.2
JF-1546	4X3	4.0 (102)	2.9 (73)	2.8 (70)	2.2 (55)	11.8 (300)	8.3 (210)	3.5 (90)	3.3
JF-1548	4X4	4.0 (102)	4.0 (102)	2.8 (70)	2.8 (70)	13.2 (335)	8.9 (225)	4.3 (110)	3.4
JF-1552	6X4	6.3 (159)	4.0 (102)	3.1 (80)	2.8 (70)	14.6 (370)	11.1 (281)	3.5 (89)	6.6
JF-1554	6X6	6.3 (159)	6.3 (159)	3.1 (80)	3.1 (80)	18.1 (460)	12.6 (320)	5.5 (140)	8.5
JF-1556	8X4	8.6 (219)	4.0 (102)	4.7 (120)	2.8 (70)	17.5 (445)	13.6 (345)	3.9 (100)	12.4
JF-1557	8X6	8.6 (219)	6.3 (159)	4.7 (120)	3.1 (80)	21.3 (540)	15.4 (390)	5.9 (150)	15.0
JF-1558	8x8	8.6 (219)	8.6 (219)	4.7 (120)	4.7 (120)	24.4 (620)	16.9 (430)	7.5 (190)	22.0



PUSH-FIT 90 DEGREE OFF SET DOUBLE WYE

SERIES NUMBER	PIPE SIZE NOM.	D1 PIPE O.D.	D2 PIPE O.D.	A1 - MIN INSERT DEPTH	A2 - MIN INSERT DEPTH	L1	L2	B	WT LBS
JF-1602	2X1 1/2	2.1 (53)	1.7 (42)	1.5 (38)	1.2 (30)	6.1 (168)	4.6 (118)	2.0 (50)	.77
JF-1604	2X2	2.1 (53)	2.1 (53)	1.5 (38)	1.5 (38)	7.4 (188)	5.2 (133)	2.6 (65)	1.0
JF-1608	3X2	2.9 (73)	2.1 (53)	2.2 (55)	1.5 (38)	9.1 (230)	6.1 (155)	3.0 (75)	1.9
JF-1610	3X3	2.9 (73)	2.9 (73)	2.2 (55)	2.2 (55)	10.0 (255)	6.7 (170)	3.3 (85)	2.2
JF-1616	4X3	4.0 (102)	2.9 (73)	2.8 (70)	2.2 (55)	11.8 (300)	8.3 (210)	3.5 (90)	4.2
JF-1618	4X4	4.0 (102)	4.0 (102)	2.8 (70)	2.8 (70)	13.2 (335)	8.9 (225)	4.3 (110)	5.3
JF-1626	6X4	6.3 (159)	4.0 (102)	3.1 (80)	2.8 (70)	14.6 (370)	10.8 (275)	3.7 (95)	6.6
JF-1630	6X6	6.3 (159)	6.3 (159)	3.1 (80)	3.1 (80)	18.1 (460)	12.6 (320)	5.5 (140)	10.8
JF-1632	8X4	8.6 (219)	4.0 (102)	4.7 (120)	2.8 (70)	17.5 (445)	13.6 (345)	3.9 (100)	13.3
JF-1636	8X6	8.6 (219)	6.3 (159)	4.7 (120)	3.1 (80)	21.3 (540)	15.4 (390)	5.9 (150)	18.0
JF-1638	8x8	8.6 (219)	8.6 (219)	4.7 (120)	4.7 (120)	24.4 (620)	16.9 (430)	7.5 (190)	26.0



All dimensions in inches with millimeters in parentheses unless noted. 5" material available upon request.