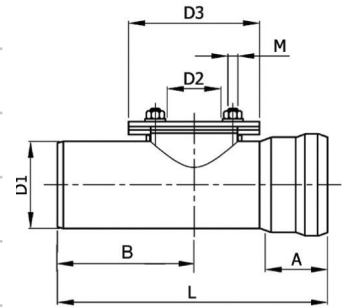


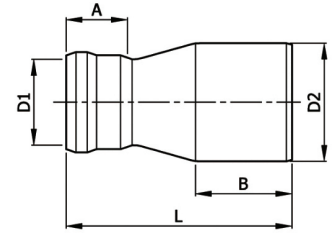
PUSH-FIT ACCESS PIPE

SERIES NUMBER	PIPE SIZE NOM.	D1 PIPE O.D.	D2 PIPE O.D.	D3	A - MIN INSERT DEPTH	L	M	B	WT LBS
JF-2045	1½"	1.7 (42)	1.7 (42)	2.8 (70)	1.2 (30)	5.4 (137)	M6	2.8 (70)	.77
JF-2046	2"	2.1 (53)	2.1 (53)	3.1 (80)	1.5 (38)	6.5 (165)	M6	3.3 (84)	1.1
JF-2048	3"	2.9 (73)	2.9 (73)	4.1 (105)	2.2 (55)	8.9 (225)	M8	4.5 (115)	2.0
JF-2050	4"	4.0 (102)	3.5 (89)	4.9 (125)	2.8 (70)	11.5 (291)	M8	5.8 (148)	3.1
JF-2054	6"	6.3 (159)	5.2 (133)	6.5 (165)	3.1 (80)	15.9 (403)	M8	8.1 (205)	7.0
JF-2056	8"	8.6 (219)	5.2 (133)	6.5 (165)	4.7 (120)	17.4 (441)	M8	8.9 (225)	12.1



PUSH-FIT CONCENTRIC REDUCER

SERIES NUMBER	PIPE SIZE NOM.	D1 PIPE O.D.	D2 PIPE O.D.	A - MIN INSERT DEPTH	L	B	WT LBS
JF-2138	2"X1½"	1.7 (42)	2.1 (53)	1.2 (30)	4.7 (120)	2.4 (62)	.42
JF-2139	3"X1½"	1.7 (42)	2.9 (73)	1.2 (30)	5.7 (145)	2.6 (65)	.51
JF-2140	3"X2"	2.1 (53)	2.9 (73)	1.5 (38)	5.5 (140)	2.6 (65)	.57
JF-2142	4"X2"	2.1 (53)	4.0 (102)	1.5 (38)	7.1 (180)	3.3 (85)	1.1
JF-2144	4"X3"	2.9 (73)	4.0 (102)	2.2 (55)	7.5 (190)	3.3 (85)	1.3
JF-2156	6"X4"	4.0 (102)	6.3 (159)	2.8 (70)	9.8 (250)	3.5 (90)	2.5
JF-2168	8"X6"	6.3 (159)	8.6 (219)	3.1 (80)	11.8 (300)	5.1 (130)	6.1



PUSH-FIT ECCENTRIC REDUCER

SERIES NUMBER	PIPE SIZE NOM.	D1 PIPE O.D.	D2 PIPE O.D.	A - MIN INSERT DEPTH	L	B	WT LBS
JF-2188	2"X1½"	1.7 (42)	2.1 (53)	1.2 (30)	5.1 (130)	2.2 (55)	.42
JF-2190	3"X2"	2.1 (53)	2.9 (73)	1.5 (38)	6.3 (160)	2.6 (65)	.79
JF-2192	4"X2"	2.1 (53)	4.0 (102)	1.5 (38)	7.5 (190)	3.1 (80)	1.5
JF-2194	4"X3"	2.9 (73)	4.0 (102)	2.2 (55)	7.9 (200)	3.1 (80)	1.8

