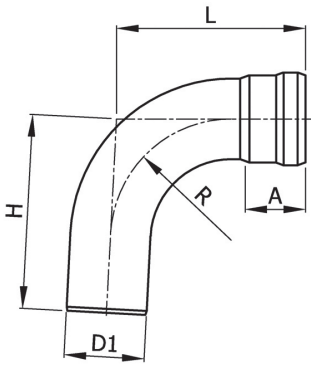


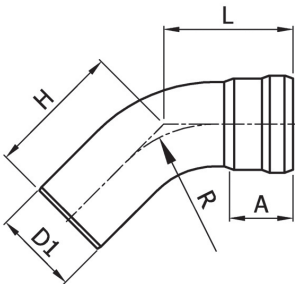
PUSH-FIT SHORT 1/4 BEND

SERIES NUMBER	PIPE SIZE NOM.	D1 PIPE O.D.	A - MIN INSERT DEPTH	L	H	R	WT LBS
JF-0188	1½	1.7 (42)	1.2 (30)	3.3 (85)	3.5 (88)	1.7 (42)	.48
JF-0190	2	2.1 (53)	1.5 (38)	4.1 (103)	4.2 (106)	2.1 (53)	.70
JF-0192	3	2.9 (73)	2.2 (55)	5.4 (138)	5.6 (142)	2.9 (73)	1.5



PUSH-FIT SWEEP 1/4 BEND

SERIES NUMBER	PIPE SIZE NOM.	D1 PIPE O.D.	A - MIN INSERT DEPTH	L	H	R	WT LBS
JF-0460	1½	1.7 (42)	1.2 (30)	4.0 (102)	4.1 (105)	2.5 (63)	.44
JF-0462	2	2.1 (53)	1.5 (38)	5.1 (130)	5.2 (133)	3.1 (80)	.77
JF-0464	3	2.9 (73)	2.2 (55)	6.8 (172)	6.9 (176)	4.3 (110)	1.7
JF-0468	4	4.0 (102)	2.8 (70)	7.1 (180)	7.3 (186)	4.0 (102)	2.2
JF-0472	6	6.3 (159)	3.1 (80)	9.6 (244)	9.9 (252)	6.3 (159)	7.6
JF-0474	8	8.6 (219)	4.7 (120)	17.4 (443)	17.8 (452)	12.0 (305)	21.2



PUSH-FIT 1/8 BEND

SERIES NUMBER	PIPE SIZE NOM.	D1 PIPE O.D.	A - MIN INSERT DEPTH	L	H	R	WT LBS
JF-0604	1½	1.7 (42)	1.2 (30)	2.7 (68)	2.8 (71)	2.5 (63)	.35
JF-0606	2	2.1 (53)	1.5 (38)	3.3 (85)	3.5 (88)	3.1 (80)	.57
JF-0608	3	2.9 (73)	2.2 (55)	4.4 (112)	4.6 (117)	4.3 (110)	1.3
JF-0610	4	4.0 (102)	2.8 (70)	4.7 (120)	5.0 (126)	4.0 (102)	1.7
JF-0614	6	6.3 (159)	3.1 (80)	6.2 (158)	6.5 (166)	6.3 (159)	4.8
JF-0616	8	8.6 (219)	4.7 (120)	10.7 (271)	11.0 (280)	12.0 (305)	13.0

All dimensions in inches with millimeters in parentheses unless noted. 5" material available upon request.

