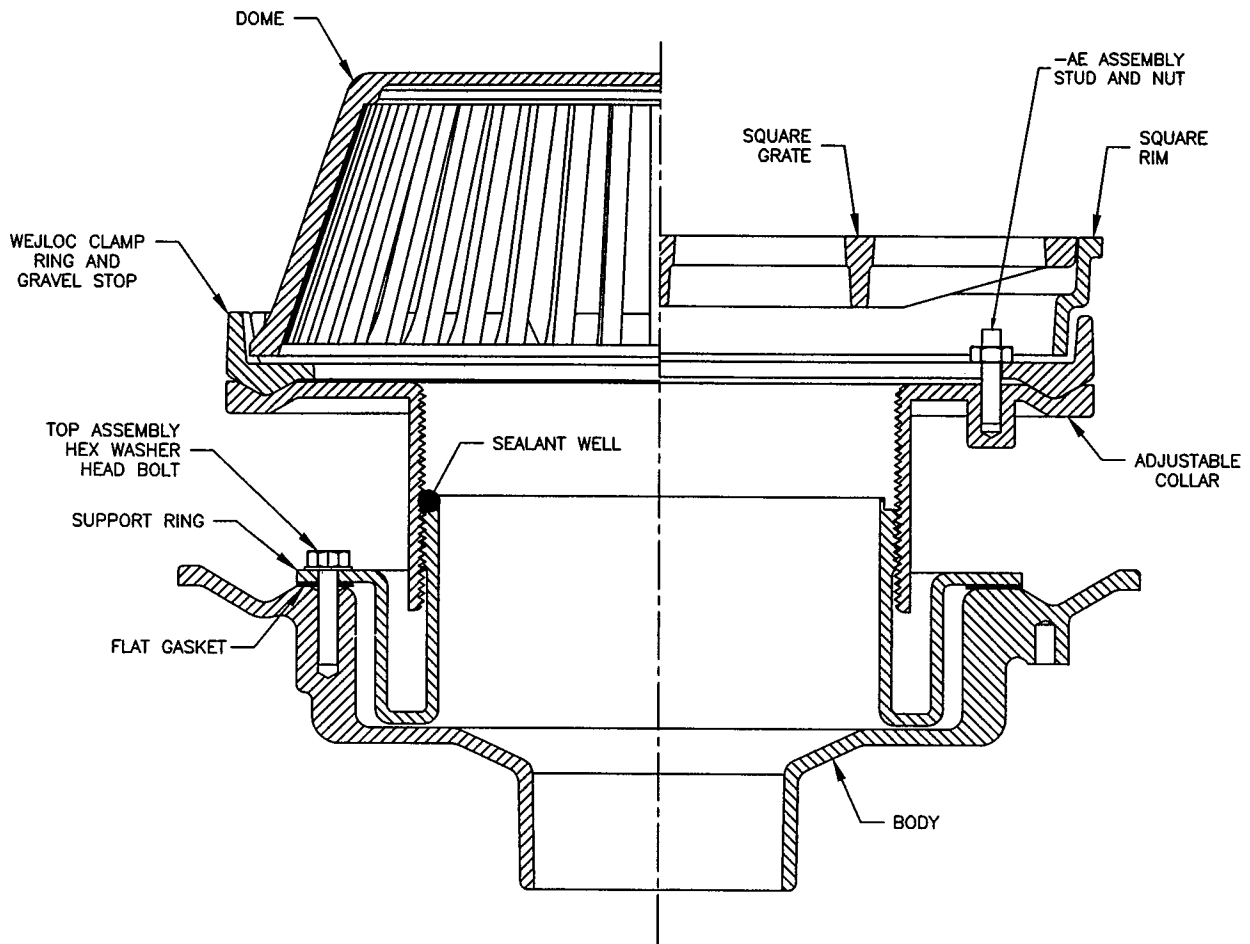


STANDARD ADJUSTABLE LEVELZEZ ASSEMBLY (-AE)



INSTALLATION INSTRUCTIONS

- 1.) PLACE FLAT GASKET WITH HOLES ALIGNED ON DRAIN BODY
- 2.) SECURE SUPPORT RING ON TOP OF GASKET WITH 3/8" WASHER HEAD BOLTS.
- 3.) ATTACH WEJLOC CLAMP RING TO ADJUSTABLE COLLAR WITH 3/8" STUDS, SECURE CLAMP RING DOWN WITH 3/8" NUTS AND WASHERS

SEALING INSTRUCTIONS

- 1.) SURFACES MUST BE CLEAN AND DRY
- 2.) COMPLETELY FILL THE SEALANT WELL BETWEEN ADJUSTABLE EXTENSION AND THE SUPPORT RING TO FORM WATERPROOF SEAL.
- 3.) SEALANT SKINS IN 5 MINUTES, DRIES TO TOUCH IN 1 HOUR CURES & BONDS IN 24 HOURS

FAILURE TO FOLLOW INSTRUCTIONS MAY RESULT IN LEAKAGE.

ADJUSTABLE LEVELZEZ ASSEMBLY WITH OPTIONAL (-4) SECONDARY CLAMP RING

WHEN (-4) SECONDARY CLAMP RING IS USED WITH A (-10) FIXED EXTENSION, THE (-10) FIXED EXTENTION MUST BE LOCATED ABOVE THE (-AE) ADJ. EXTENSION.

